

Verderair VA-H50 SB-SF-FP



VA-H50 SB-SF-FP

VERDERAIR

Technical data			
Weight [kg]	All models		66
Suction lift [mwc]	SB execution	Dry	2,8
		Wet	5,5
	SF/FP execution	Dry	1,8
		Wet	3,5
Temperature [°C]	Internals	EO	0 135
		TF	4 104
		TO	4 82
		SP	-40 82
Max. Particle size [mm]	SB execution		25,4
	SF/FP execution		63,5
Max. Viscosity (mPas)			20000
Certifications	Internals	TF/EO	EN1935/2004
	All models	All models	FDA

Code VA-H50 No.1 No.2 No.3 No.4 No.5 No.6 No.7

No.1 Fluid section material

Ex S = 316 Stainless Steel, Ra: 0,8µm

No. 2 Air Section material

Ex S = 316 Stainless Steel, Ra: 0,8µm

No. 3 Check Valve seat material

SE = SS seat with EPDM o-rings

No. 4 Check valve ball material

SP = Santoprene

TF = PTFE

FL = SS316 Flap valve

No. 5 Diaphragm material

SP = Santoprene

EO = EPDM overmolded

TO = PTFE/EPDM overmolded

TF = PTFE/EPDM 2 piece

No. 6 Fluid connections

D4 = DIN 11851, DN40, male

D5 = DIN 11851, DN50, male

D8 = DIN 11851, DN80, male

T4 = Tri-Clamp (ASME BPE), 1 1/2"

T5 = Tri-Clamp (ASME BPE), 2"

T8 = Tri-Clamp (ASME BPE), 3"

T1 = Tri-Clamp (ASME BPE), 4"

(only SF version)

No. 7 Pump Style

SB = Ball valve execution

SF = Flap valve execution

FP = Flap valve execution, without manifolds

EXAMPLE PUMP TYPE

VA-H50SS SE TF TO D5 SB



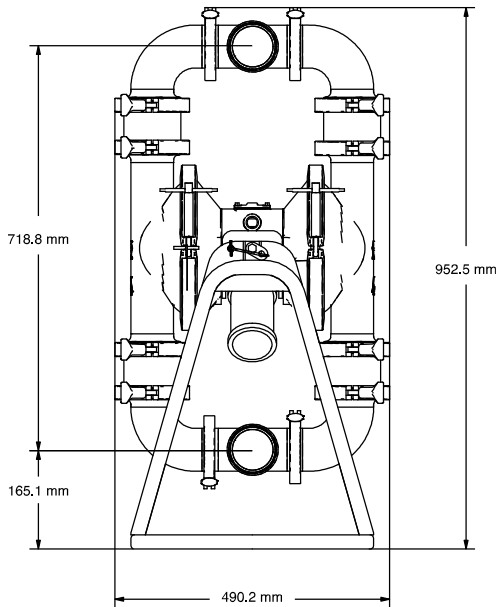
Ex II 2 G c IIB T6



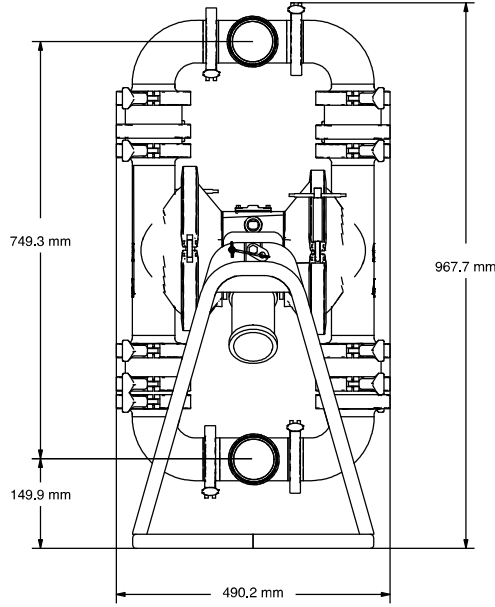
EN 1935/2004

Verderair VA-H50 SB-SF-FP

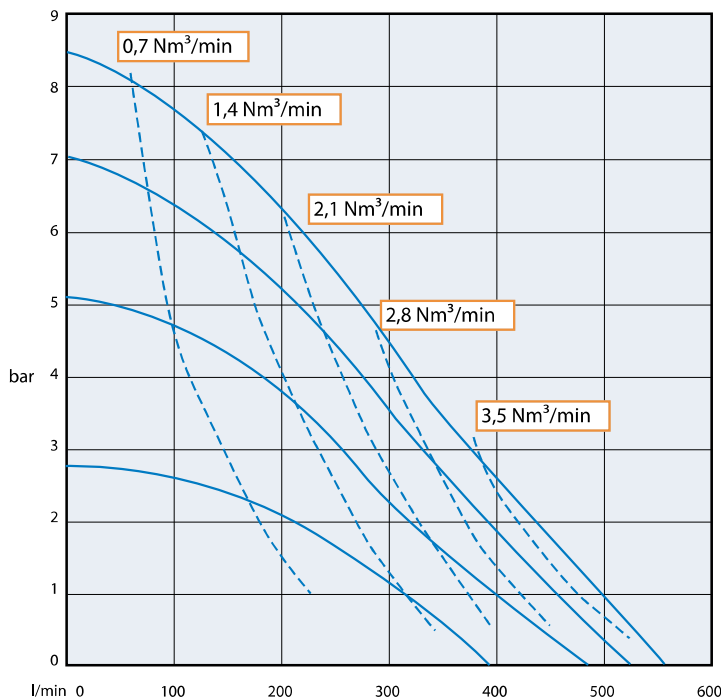
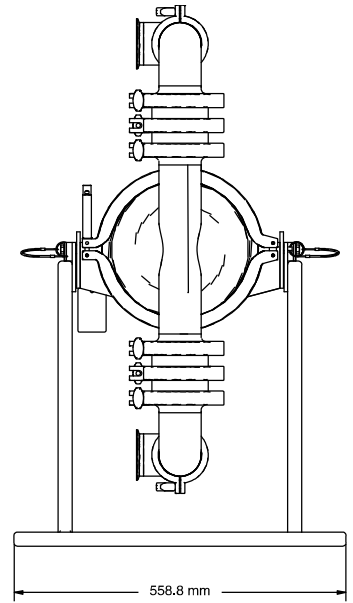
VA-H50 SB-SF-FP



VA-H50 SB



VA-H50 SF



Air consumption

VA-H50 SB-SF-FP_Techno_Rev01-2014_EU_(eu)

Find your local supplier at www.verderair.com

Greece: www.adtec.gr info@adtec.gr

VERDER
passion for pumps