

Verderair VA-H50 FD



VA-H50 FD


VERDERAIR

Technical data


Weight [kg]	SS models	66,7		
	SA models	64		
Suction lift [mwc]	Dry	4,8		
	Wet	8,9		
Temperature [°C]	Internals	SP	-40	82
		TF / TO	4	104
		NW	-18	93
Max. Particle size [mm]	6,3			
Max. Viscosity (mPas)	20000			
Certifications	Internals	TF	EN1935/2004	
	All models	FDA		

Code VA-H50 No.1 No.2 No.3 No.4 No.5 No.6 No.7

no.1 Fluid section material

 S = 316 Stainless Steel, Ra: 3,2µm

No. 2 Air Section material

 S = 316 Stainless Steel, Ra: 3,2µm

 A = Aluminium

No. 3 Check Valve seat material

SE = SS seat with EPDM o-rings

ST = SS seat with PTFE o-rings

No. 4 Check ball valves material


SP = Santoprene

TF = PTFE

NW = Neoprene Weighted

No. 5 Diaphragm material

SP = Santoprene

 TF = PTFE/EPDM 2 piece

TO = PTFE/EPDM overmolded

No. 6 Fluid connections

D6 = DIN 11851, DN65, male

T6 = Tri-Clamp (ASME BPE), 2 1/2"

No. 7 Pump Style

FD = Food grade design

EXAMPLE PUMP TYPE

VA-H50SS ST TF TO D6 FD

NOTE not all combinations are available



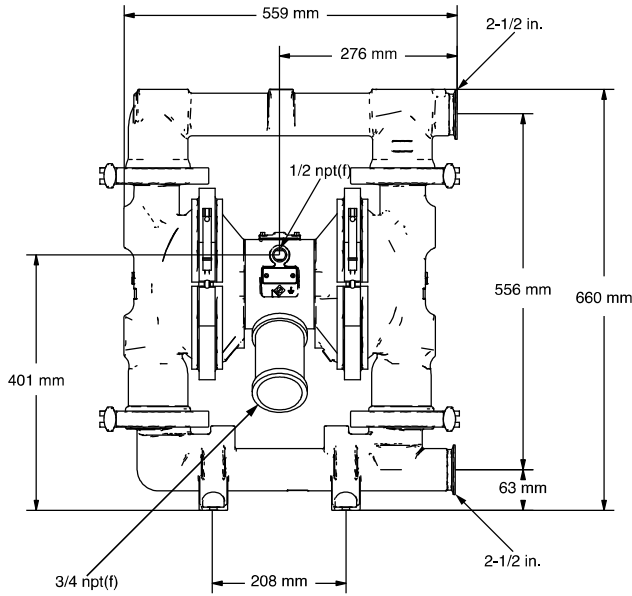
Ex II 2 GD c IIB T6



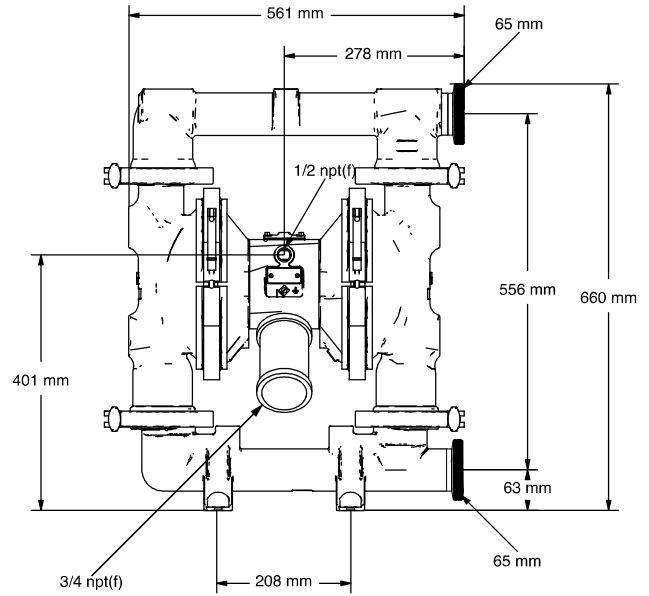
EN 1935/2004

Verderair VA-H50 FD

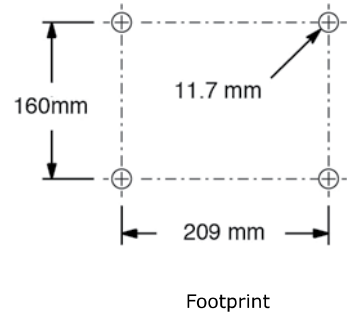
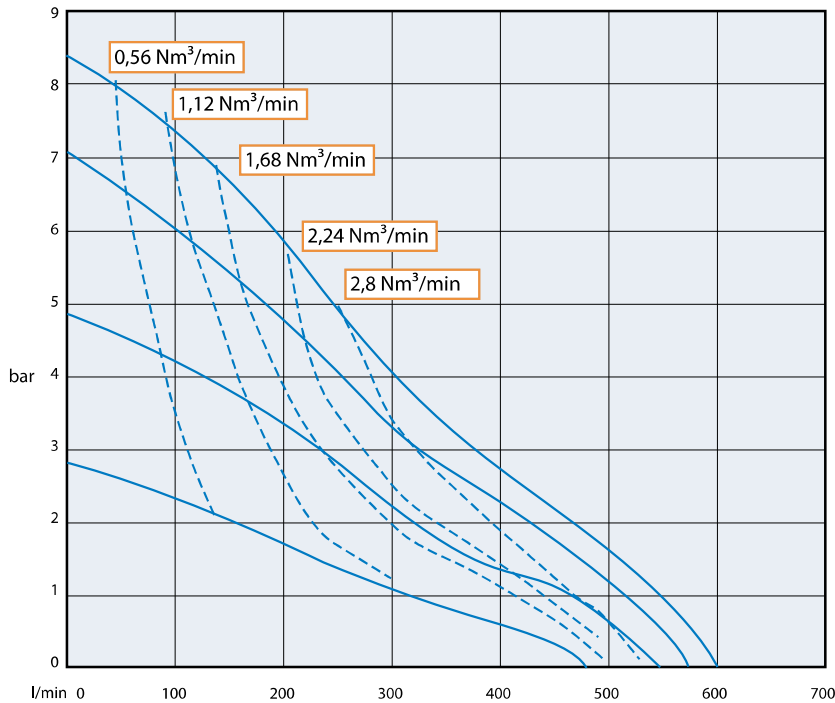
VA-H50 FD



VA-H50-FD Tri-Clamp



VA-H50-FD Din



Air consumption

VA-H50_FD_Techno_Rev01-2014_EU_(eu)

Find your local supplier at www.verderair.com

Greece: www.adtec.gr info@adtec.gr

VERDER
passion for pumps