

# Verderair VA-H50 3A



VA-H50 3A

VERDERAIR

Technical data				
Weight [kg]	All models		66	
Suction lift [mwc]	Dry		2,8	
	Wet		5,5	
Temperature [°C]	Internals	EO	0	135
		TF	4	104
Max. Particle size [mm]	3A execution		25,4	
Max. Viscosity (mPas)			20000	
Certifications	All models		EN1935/2004	
			3A	
			FDA	

## Code VA-H50 No.1 No.2 No.3 No.4 No.5 No.6 No.7

### no.1 Fluid section material

S = 316 Stainless Steel, Ra: 0,8µm

### No. 2 Air Section material

S = 316 Stainless Steel, Ra: 0,8µm

### No. 3 Check Valve seat material

SE = SS seat with EPDM o-rings

### No. 4 Check valve ball material

☒ A TF = PTFE

### No. 5 Diaphragm material

☒ A EO = EPDM overmolded

### No. 6 Fluid connections

D5 = DIN 11851, DN50, male

D8 = DIN 11851, DN80, male

T5 = Tri-Clamp (ASME BPE), 2"

T8 = Tri-Clamp (ASME BPE), 3"

### No. 7 Pump Style

3A = 3A execution with leak detector

EXAMPLE PUMP TYPE

**VA-H50SS SE TF TO D5 3A**



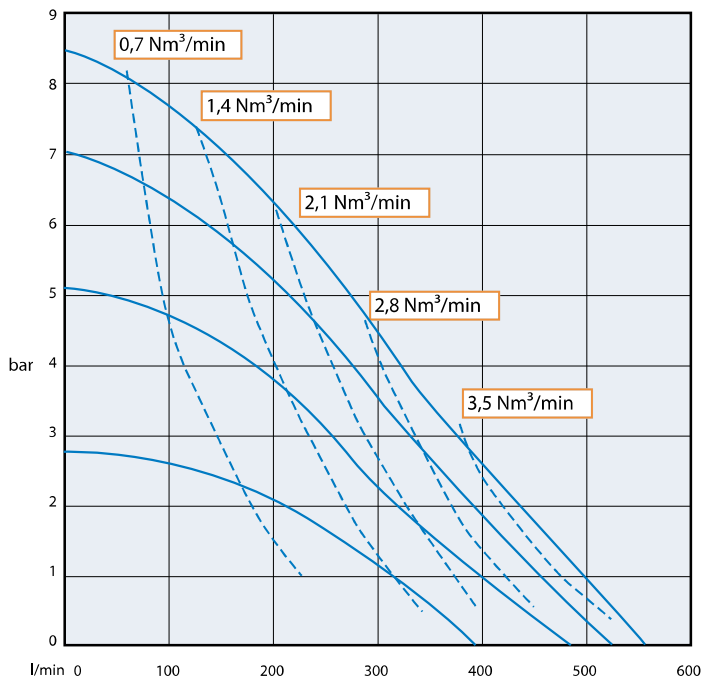
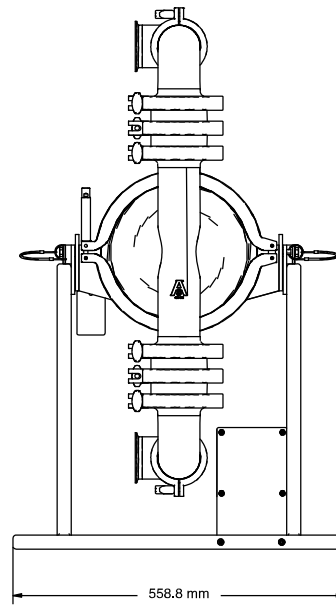
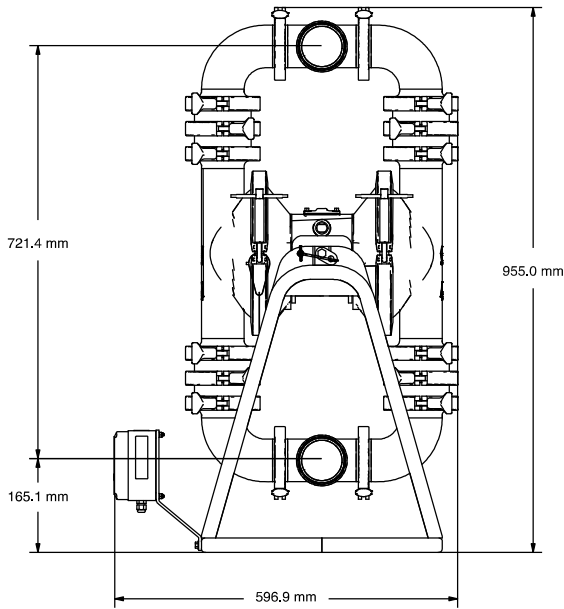
EN 1935/2004



3A

# Verderair VA-H50 3A

VA-H50 3A



Air consumption

VA-H50 3A\_Techno\_Rev01-2014\_EU\_(eu)

Find your local supplier at [www.verderair.com](http://www.verderair.com)

Greece: [www.adtec.gr](http://www.adtec.gr) [info@adtec.gr](mailto:info@adtec.gr)

**VERDER**  
passion for pumps