

Verderair VA-H40 FD



VA-H40 FD


VERDERAIR

Technical data


| | | | | |
|-------------------------|------------|---------|-------------|-----|
| Weight [kg] | SS models | 40,3 | | |
| | SA models | 37,6 | | |
| Suction lift [mwc] | Dry | 4,3 | | |
| | Wet | 8,8 | | |
| Temperature [°C] | Internals | SP | -40 | 82 |
| | | TF / TO | 4 | 104 |
| | | NW | -18 | 93 |
| Max. Particle size [mm] | 4,8 | | | |
| Max. Viscosity (mPas) | 15000 | | | |
| Certifications | Internals | TF | EN1935/2004 | |
| | All models | FDA | | |

Code VA-H25 No.1 No.2 No.3 No.4 No.5 No.6 No.7

no.1 Fluid section material

 S = 316 Stainless Steel, Ra: 3,2µm

No. 2 Air Section material

 S = 316 Stainless Steel, Ra: 3,2µm

 A = Aluminium

No. 3 Check Valve seat material

SE = SS seat with EPDM o-rings

ST = SS seat with PTFE o-rings

No. 4 Check valve ball material


SP = Santoprene

TF = PTFE

NW = Neoprene Weighted

No. 5 Diaphragm material

SP = Santoprene

 TF = PTFE/EPDM 2 piece

TO = PTFE/EPDM overmolded

No. 6 Fluid connections

D5 = DIN 11851, DN50, male

T5 = Tri-Clamp (ASME BPE), 2"

No. 7 Pump Style

FD = Food grade design

EXAMPLE PUMP TYPE

VA-H40SS ST TF TO D5 FD

NOTE not all combinations are available



Ex II 2 GD c IIB T6

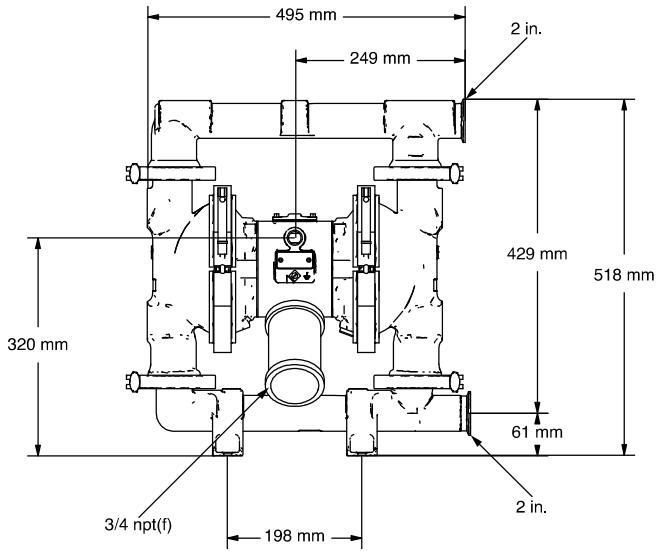


EN 1935/2004

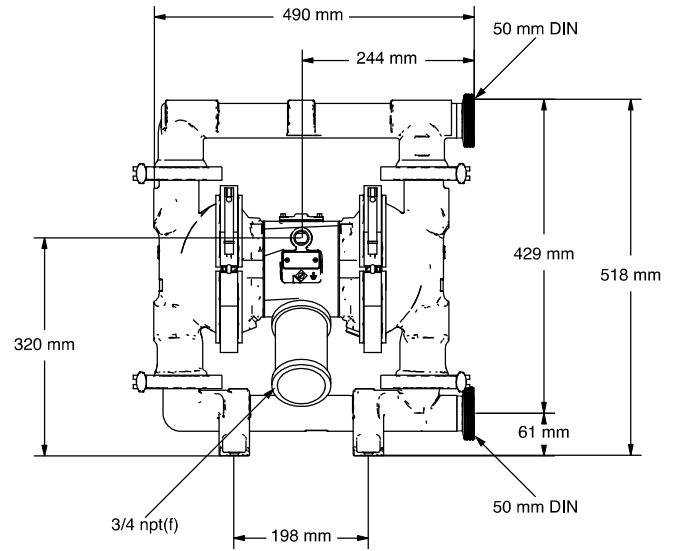
Verderair VA-H40 FD



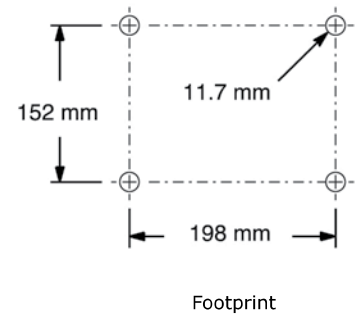
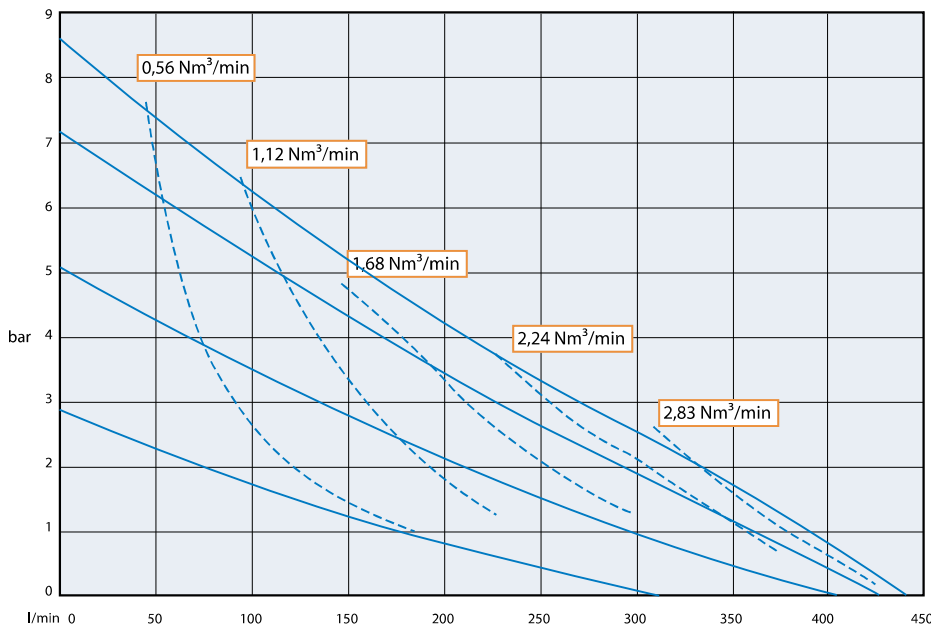
VA-H40 FD



VA-H40-FD Tri-Clamp



VA-H40-FD Din



Air consumption

VA-H40_FD_Techno_Rev01-2014_EU_(eu)

Find your local supplier at www.verderair.com

Greece: www.adtec.gr info@adtec.gr

VERDER
passion for pumps