

# Verderair VA-H40 3A



VA-H40 3A

VERDERAIR

Technical data				
Weight [kg]	All models			44,0
Suction lift [mwc]	Dry			4,6
	Wet			8,5
Temperature [°C]	Internals	EO		0 135
		TF		4 104
Max. Particle size [mm]				15,9
Max. Viscosity (mPas)				15000
Certifications	All models			EN1935/2004
				3A
				FDA

Code VA-H40 No.1 No.2 No.3 No.4 No.5 No.6 No.7		
<p><b>no.1 Fluid section material</b> S = 316 Stainless Steel, Ra: 0,8µm</p> <p><b>No. 2 Air Section material</b> S = 316 Stainless Steel, Ra: 0,8µm</p> <p><b>No. 3 Check Valve seat material</b> SE = SS seat with EPDM o-rings</p>	<p><b>No. 4 Check valve ball material</b> ☒ A TF = PTFE</p> <p><b>No. 5 Diaphragm material</b> ☒ A EO = EPDM overmolded</p> <p><b>No. 6 Fluid Connections</b> D5 = DIN 11851, DN50, male T5 = Tri-Clamp (ASME BPE), 2"</p>	<p><b>No. 7 Pump Style</b> 3A = 3A execution with leak detector</p>

EXAMPLE PUMP TYPE

**VA-H40SS SE TF TO D5 3A**



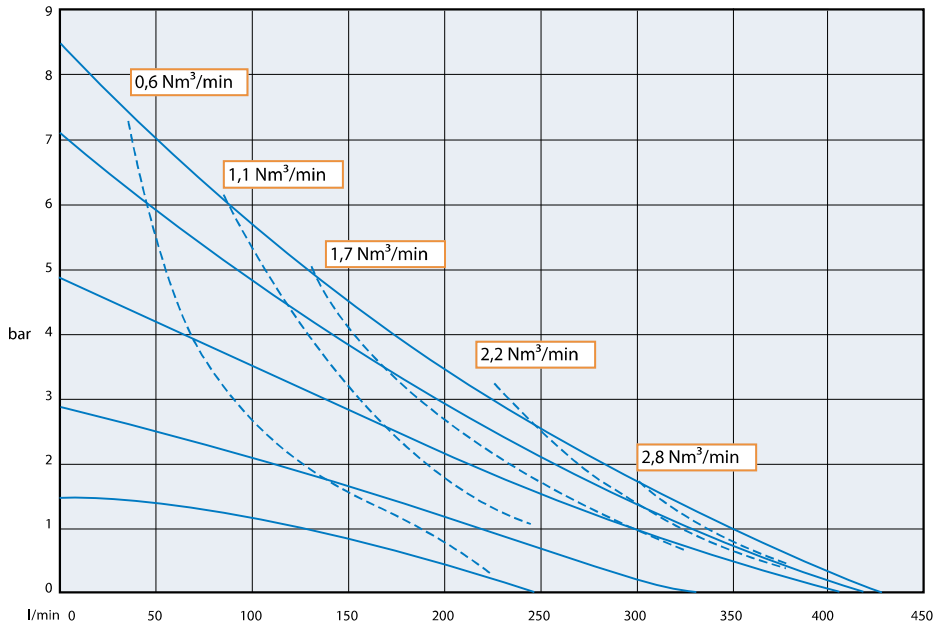
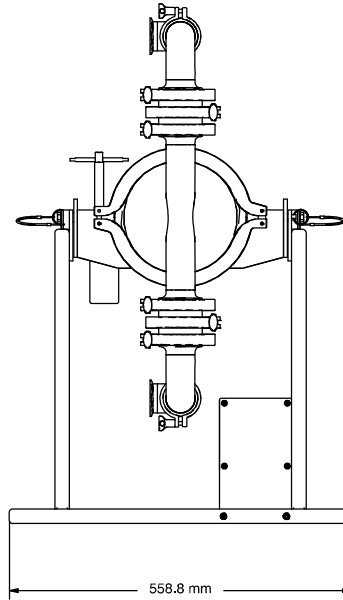
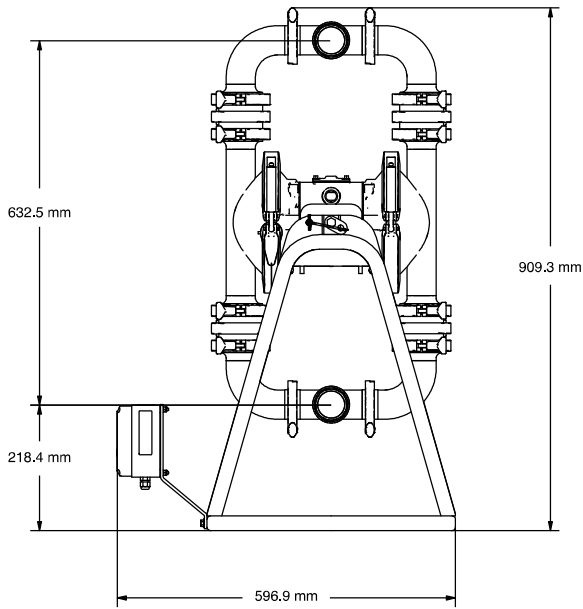
EN 1935/2004



3A

# Verderair VA-H40 3A

VA-H40 3A



Air consumption

VA-H40 3A\_Techno\_Rev01-2014\_EU\_(eu)

Find your local supplier at [www.verderair.com](http://www.verderair.com)

Greece: [www.adtec.gr](http://www.adtec.gr) [info@adtec.gr](mailto:info@adtec.gr)

**VERDER**  
passion for pumps