

# Verderair VA-H25 FD

VA-H25 FD




VERDERAIR

## Technical data


Weight [kg]	SS models	24,9		
	SA models	22,2		
Suction lift [mwc]	Dry	4,9		
	Wet	8,8		
Temperature [°C]	Internals	SP	-40	82
		TF / TO	4	104
		NW	-18	93
Max. Particle size [mm]	3,2			
Max. Viscosity (mPas)	12000			
Certifications	Internals	EN1935/2004		
	All models	FDA		

## Code VA-H25 No.1 No.2 No.3 No.4 No.5 No.6 No.7

### no.1 Fluid section material

 S = 316 Stainless Steel, Ra: 3,2µm

### No. 2 Air Section material

 S = 316 Stainless Steel, Ra: 3,2µm

 A = Aluminium

### No. 3 Check Valve seat material

SE = SS seat with EPDM o-rings

ST = SS seat with PTFE o-rings

### No. 4 Check valve ball material


SP = Santoprene

TF = PTFE

NW = Neoprene Weighted

### No. 5 Diaphragm material

SP = Santoprene

 TF = PTFE/EPDM 2 piece

TO = PTFE/EPDM overmolded

### No. 6 Fluid connections

D4 = DIN 11851, DN40, male

T4 = Tri-Clamp (ASME BPE), 1 1/2"

### No. 7 Pump Style

FD = Food grade design

## EXAMPLE PUMP TYPE

**VA-H25SS ST TF TO D4 FD**

NOTE not all combinations are available



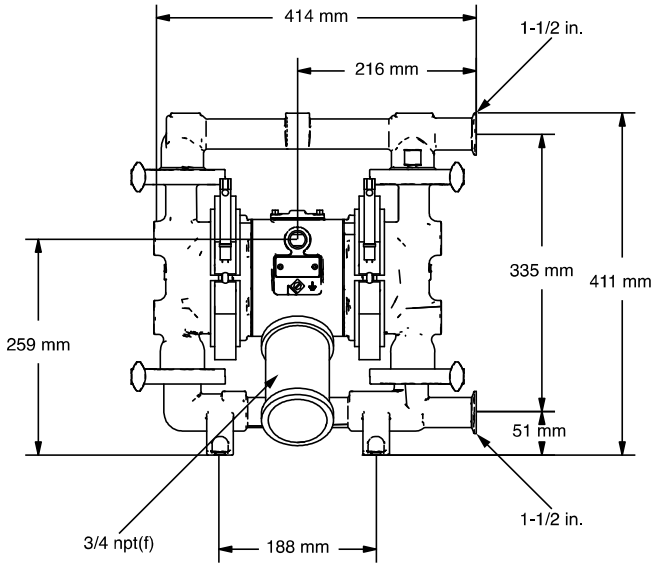
Ex II 2 GD c IIB T6



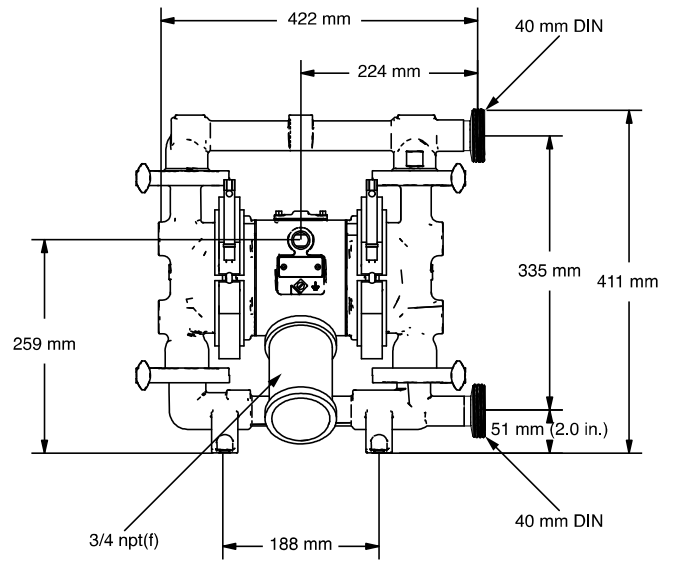
EN 1935/2004

# Verderair VA-H25 FD

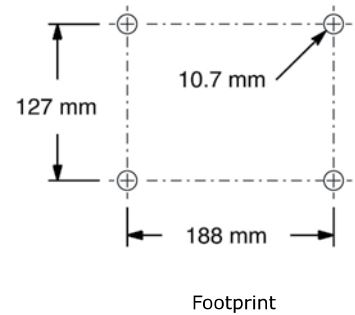
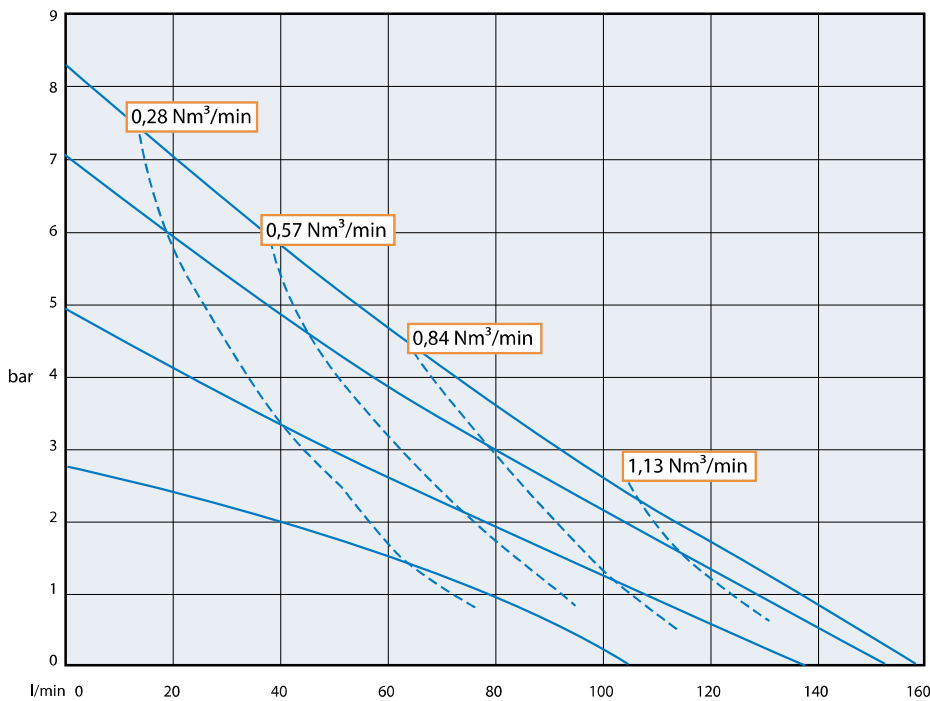
VA-VA-H25 FD



VA-H25\_FD Tri-Clamp



VA-H25\_FD Din



Air consumption

VA-H25\_FD\_Techno\_Rev01-2014\_EU\_(eu)

Find your local supplier at [www.verderair.com](http://www.verderair.com)

Greece: [www.adtec.gr](http://www.adtec.gr) [info@adtec.gr](mailto:info@adtec.gr)

**VERDER**  
passion for pumps