




# Verderair VA-H20 FD



VA-H20 FD

VERDERAIR

Technical data				
Weight [kg]	All models		10	
Suction lift [mwc]	Dry		4,6	
	Wet		7,6	
Temperature [°C]	Internals	SP	4	82
		TF / TO	4	104
Max. Particle size [mm]			2,4	
Max. Viscosity (mPas)			10000	
Certifications	Internals TF		EN1935/2004	
	All models		FDA	

Code VA-H20 No.1 No.2 No.3 No.4 No.5 No.6 No.7						
<b>no.1 Fluid section material</b>  S = 316 Stainless Steel, Ra: 3,2µm		<b>No. 4 Check valve ball material</b> SP = Santoprene TF = PTFE		<b>No. 6 Fluid connections</b> D2 = DIN 11851, DN25, male T2 = Tri-Clamp (ASME BPE), 1"		
<b>No. 2 Air Section material</b>  P = FDA compliant Polypropylene		<b>No. 5 Diaphragm material</b> SP = Santoprene  TF = PTFE/EPDM 2 piece TO = PTFE/EPDM overmolded		<b>No. 7 Pump Style</b> FD = Food grade design		
<b>No. 3 Check Valve seat material</b> SE = SS seat with EPDM o-rings ST = SS seat with PTFE o-rings						

EXAMPLE PUMP TYPE  
**VA-H20SP ST TF TO D2 FD**

NOTE not all combinations are available



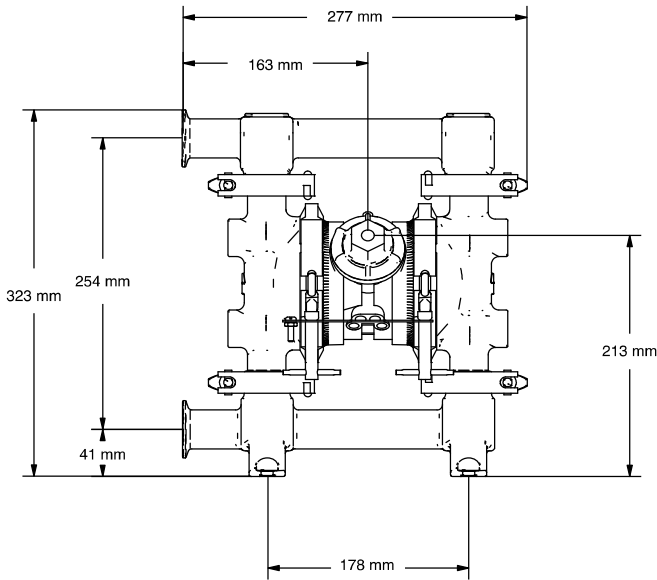
II 2 GD c IIA T4



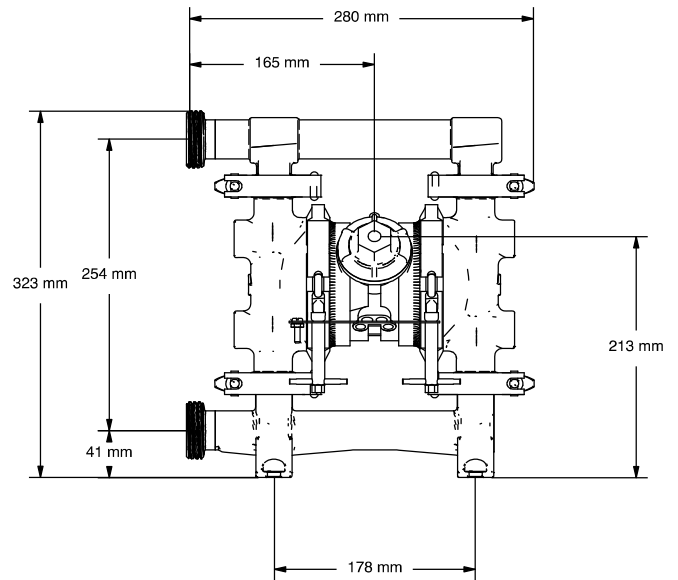
EN 1935/2004

# Verderair VA-H20 FD

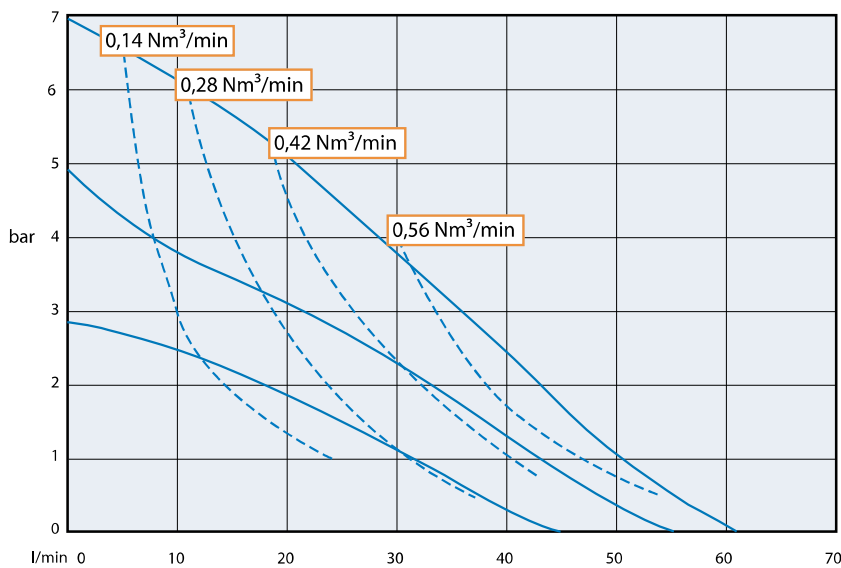
VA-H20 FD



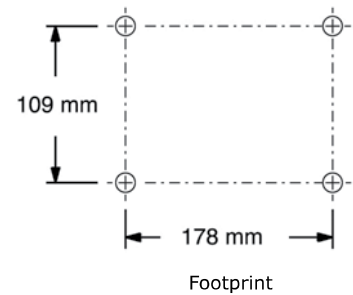
VA-H20\_FD Tri-Clamp



VA-H20\_FD Din



Air consumption



Footprint

VA-H20\_FD\_Techno\_Rev01-2014\_EU\_(eu)

Find your local supplier at [www.verderair.com](http://www.verderair.com)

Greece: [www.adtec.gr](http://www.adtec.gr) [info@adtec.gr](mailto:info@adtec.gr)

**VERDER**  
passion for pumps