

# Verderair

## VA50 non-metallic



VERDERAIR®

### Description

The VA50 non-metallic double diaphragm pumps are excellent pumps for use in a wide range of applications across many industries. The reliability of those pumps and especially the air valves, have been proven in many industries since many years. The pumps are available in 3 different materials for the pump body and 7 different materials for the diaphragms. This makes it possible to select the best solution for your application.

### Your benefits

- Easy to install, operate and maintain
- Less downtime
- Free of air lubrication
- Non stalling air valve
- Can run dry without damage
- Dry self priming

### Technical data

Weight [kg]	Fluid & air section	PA, CA	22
		PS	32
		KA	31
		KS	41
Max. suction lift [mwc]		Dry	2,5
		Wet	5,5
Temperature [°C]	<b>Fluid section</b>	<b>Internals</b>	
	C, P	All internals	5 65
	K	BN, SP, TO, HY, GE	5 65
	K	TF, VT	5 93
Max. Particle size [mm]			6,3
Max. recommended viscosity (mPas)			20000

### Code VA50 No.1 No.2 No.3 No.4. No.5 No.6 No.7

#### No.1 Fluid section

- ⚠ C = Conductive PP
- K = Kynar (PVDF)
- P = Polypropylene

#### No.2 Air section

- A = Aluminium
- S = Stainless Steel

#### No.3 Check valve seats

- BN = Buna-N
- HY = Hytrel (TPE)
- KY = Kynar (PVDF)
- PP = Polypropylene

SP = Santoprene

SS = Stainless Steel

VT = Viton (FKM)

#### No. 4 Check valve balls

BN = Buna-N

GE = Geolast

HY = Hytrel (TPE)

SP = Santoprene

TF = Teflon

VT = Viton (FKM)

#### No.5 Diaphragms

BN = Buna-N

GE = Geolast

HY = Hytrel (TPE)

SP = Santoprene

TF = PTFE/Santoprene 2 piece

TO = PTFE/EPDM overmolded

VT = Viton (FKM)

#### No. 6 Connections

FE = End flange DIN/ANSI

#### No. 7 Options

OO = Standard

RE = Remote

#### EXAMPLE PUMP TYPE

**VA50PA SP SP SP FE OO**

NOTE not all combinations are available

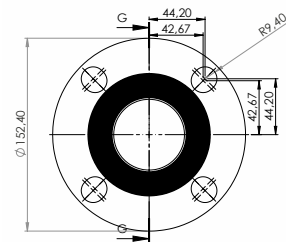
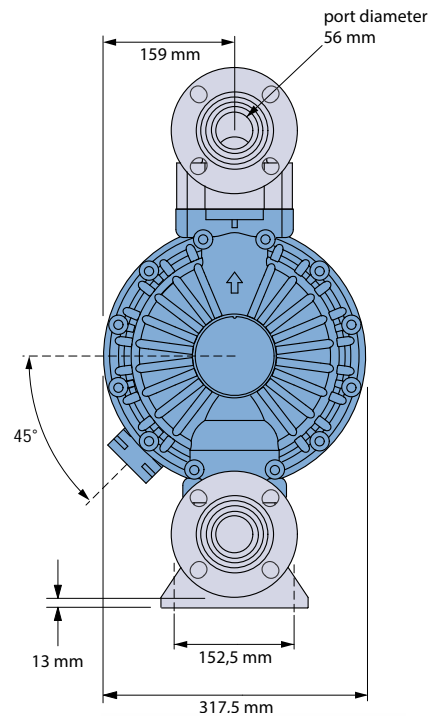
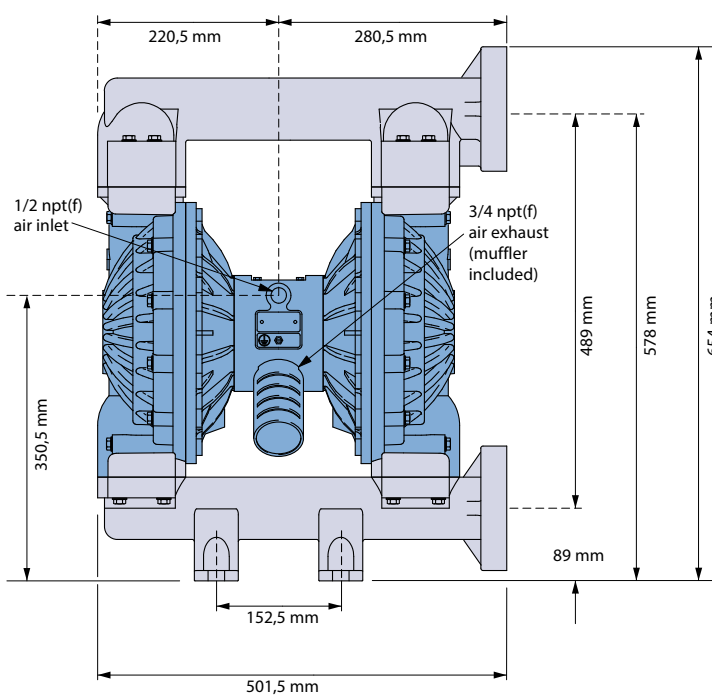
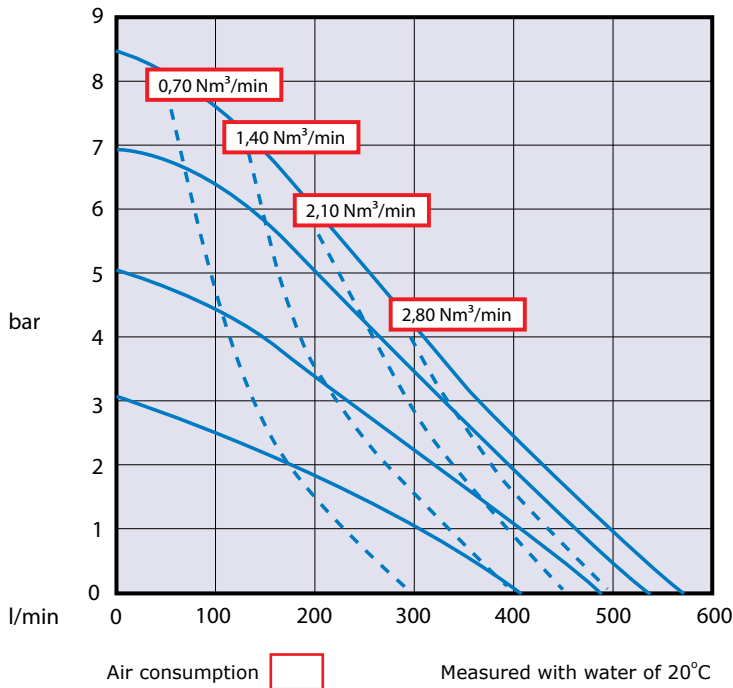
⚠ II 2 GD c IIC T4

# Verderair

## VA50 non-metallic



VERDERAIR®



VA50nonmet\_Technosheet\_rev02\_2015\_(eu)

All dimensions are in mm.  
All dimensions are for guidance only.

Find your local supplier  
at [www.verderair.com](http://www.verderair.com)

For construction, installation and floor mounting drawings  
please contact your local authorised Verderair® distributor.

**VERDER**  
passion for pumps

