

Verderair

VA40 non - metallic



VERDERAIR®

Description

The VA40 non-metallic double diaphragm pumps are excellent pumps for use in a wide range of applications across many industries. The reliability of those pumps and especially the air valves, have been proven in many industries since many years. The pumps are available in 3 different materials for the pump body and 7 different materials for the diaphragms. This makes it possible to select the best solution for your application.

Your benefits

- Easy to install, operate and maintain
- Less downtime
- Free of air lubrication
- Non stalling air valve
- Can run dry without damage
- Dry self priming

Technical data			
Weight [kg]	Fluid & air section	PA, CA	16
		PS, CS	26
		KA	22
		KS	32
Max. suction lift [mwc]		Dry	2,5
		Wet	5,5
Temperature [°C]	Fluid section	Internals	
	C, P	All internals	5 65
	K	BN, SP, TO, HY, GE	5 65
	K	TF, VT	5 93
Max. Particle size [mm]			4,8
Max. recommended viscosity (mPas)			15000

Code VA40 No.1 No.2 No.3 No.4. No.5 No.6 No.7		
<p>No.1 Fluid section</p> <p>⚠ C = Conductive PP K = Kynar (PVDF) P = Polypropylene</p> <p>No.2 Air section</p> <p>A = Aluminium S = Stainless Steel</p> <p>No.3 Check valve seats</p> <p>BN = Buna-N HY = Hytrel (TPE) KY = Kynar (PVDF) PP = Polypropylene</p>	<p>SP = Santoprene SS = Stainless Steel VT = Viton (FKM)</p> <p>No. 4 Check valve balls</p> <p>BN = Buna-N GE = Geolast HY = Hytrel (TPE) SP = Santoprene TF = Teflon VT = Viton (FKM)</p> <p>No.5 Diaphragms</p> <p>BN = Buna-N</p>	<p>GE = Geolast HY = Hytrel (TPE) SP = Santoprene TF = PTFE/Santoprene 2 piece TO = PTFE/EPDM overmolded VT = Viton (FKM)</p> <p>No. 6 Connections</p> <p>FE = End flange DIN/ANSI</p> <p>No. 7 Options</p> <p>OO = Standard RE = Remote</p>

EXAMPLE PUMP TYPE

VA40PA PP SP SP FE OO

NOTE not all combinations are available

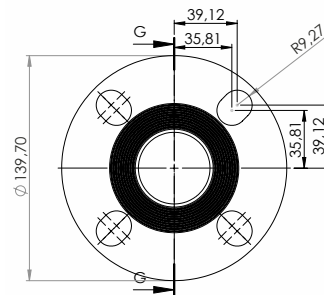
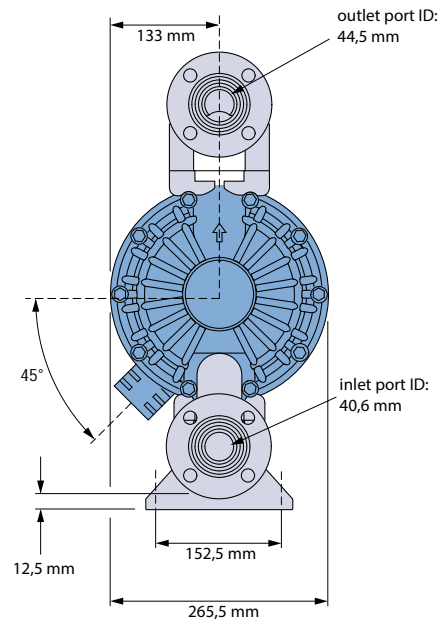
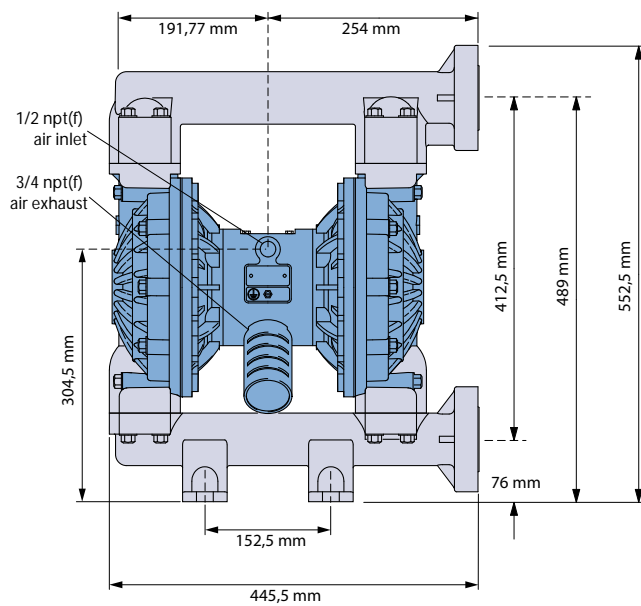
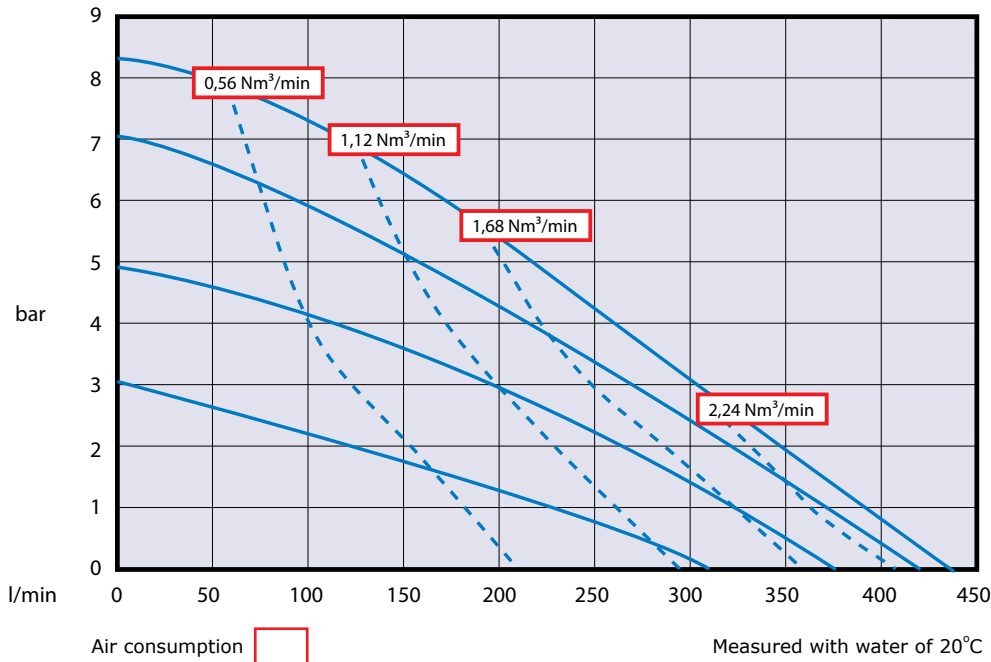
⚠ II 2 GD c IIC T4

Verderair

VA40 non - metallic



VERDERAIR®



FLANGE DIMENSION IN MM

VA40nonmet_Technosheet_rev02_2015_(eu)

All dimensions are in mm.
All dimensions are for guidance only.

Find your local supplier
at www.verderair.com

For construction, installation and floor mounting drawings
please contact your local authorised Verderair® distributor.

VERDER
passion for pumps

