

# Verderair

## VA 20 Metallic



VERDERAIR®

### Description

The VA20 non-metallic double diaphragm pumps are excellent pumps for use in a wide range of applications across many industries. Special versions are available to make them easy to install on standard drums. The pumps are available in 2 different materials for the pump body and 6 different materials for the diaphragms. This makes it possible to select the best solution for your application.

### Your benefits

- Dry self priming
- Can run dry without damage
- Easy to install, operate and maintain
- Less downtime
- Free of air lubrication
- Non stalling air valve

### Technical data

Weight [kg]	Fluid & air section	AP	3,9
		SP	8,2
Max. suction lift [mwc]		Dry	4,5
		Wet	7,6
Temperature [°C]	<b>Fluid section</b>	<b>Internals</b>	
	A, S	BN, HY, SP, TO	5 82
	A, S	TF, VT	5 107
Max. Particle size [mm]			2,5
Max. recommended viscosity (mPas)			5000

### Code VA10 No.1 No.2 No.3 No.4. No.5 No.6 No.7

#### No.1 Fluid section

- A = Aluminium
- S = Stainless Steel

#### No.2 Air section

- P = Polypropylene

#### No.3 Check valve seats

- AC = Acetal
- PP = Polypropylene
- SS = Satinless Steel

#### No. 4 Check valve balls

- BN = Buna-N
- HY = Hytrel (TPE)
- SP = Santoprene
- SS = Stainless Steel
- TF = PTFE
- VT = Viton (FKM)

#### No.5 Diaphragms

- BN = Buna-N
- HY = Hytrel (TPE)
- SP = Santoprene

TF = PTFE

TO = PTFE/EPDM overmolded

VT = Viton (FKM)

#### No. 6 Connections

TB = Threaded BSP

TN = Threated NPT

#### No. 7 Options

OO = Standard

DP = Drum Pump

RE = Remote

#### EXAMPLE PUMP TYPE

**VA20SP SS TF TF TN OO**

NOTE not all combinations are available

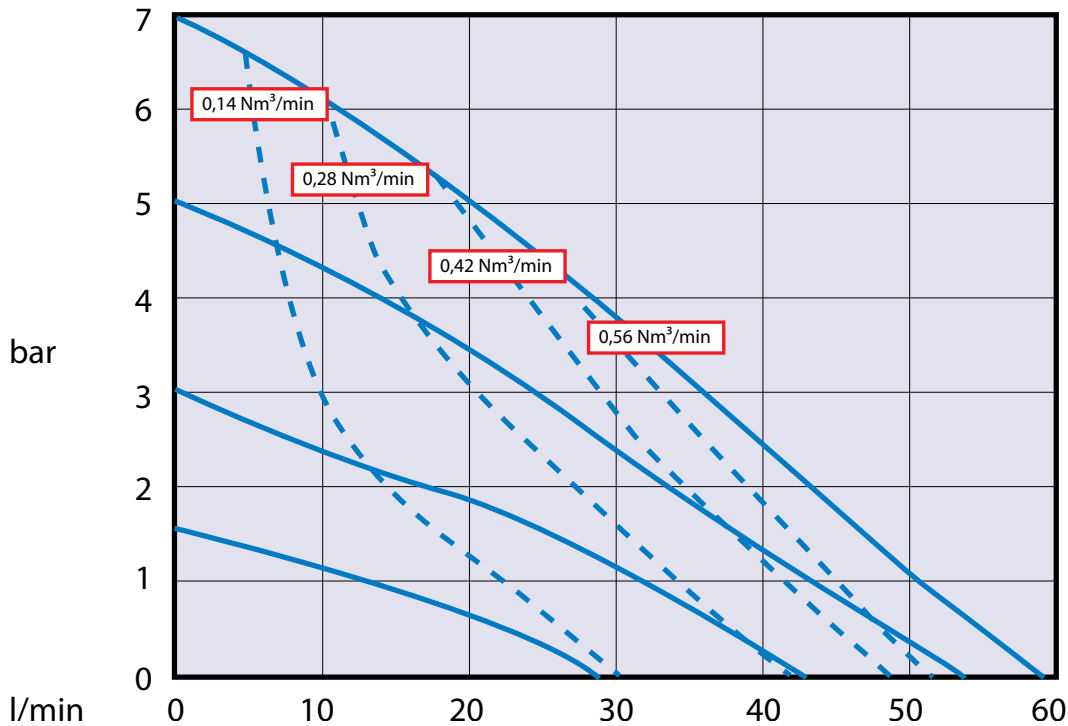
II 2 GD c IIC T4

# Verderair

## VA 20 Metallic

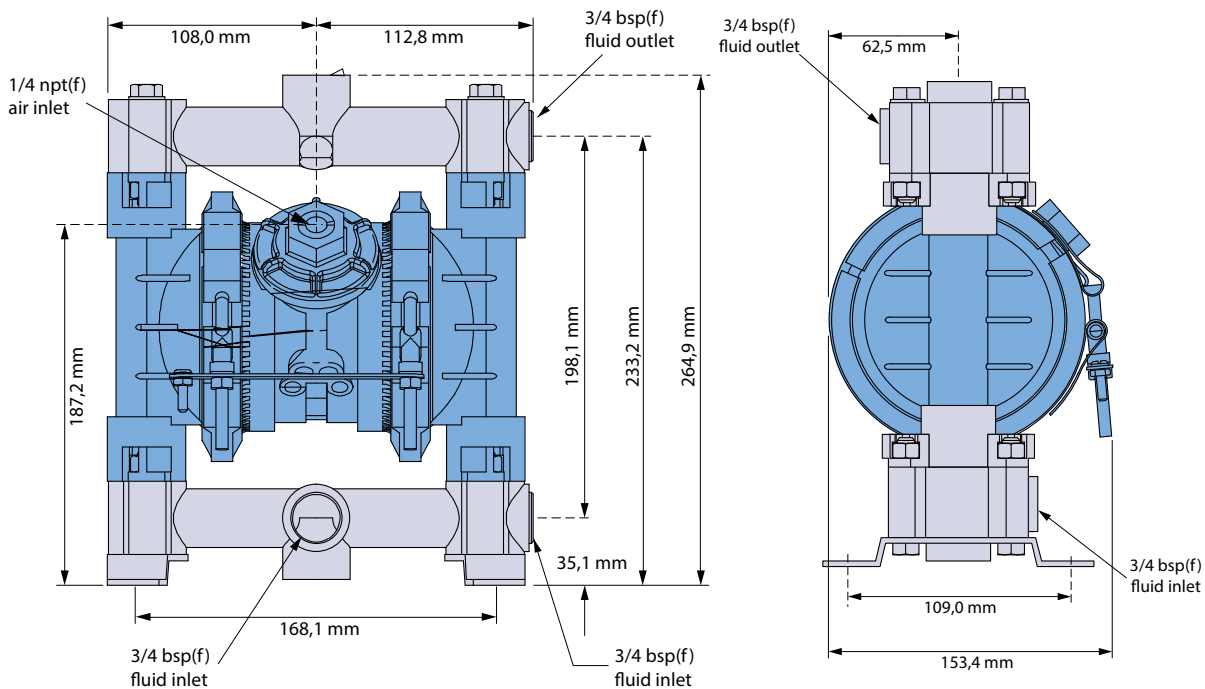


VERDERAIR®



Air consumption

Measured with water of 20°C



All dimensions are in mm.  
All dimensions are for guidance only.

VA20met\_Technosheet\_rev02\_2015\_(eu)

Find your local supplier  
at [www.verderair.com](http://www.verderair.com)

For construction, installation and floor mounting drawings  
please contact your local authorised Verderair® distributor.

**VERDER**  
passion for pumps

