

Verderair

VA 10 Non-metallic



VERDERAIR®

Description

The VA10 non-metallic double diaphragm pumps are excellent pumps for use in a wide range of applications across many industries. The pumps are assembled with clamps, which makes the maintenance very easy. The pumps are available in 2 different materials for the pump body and 4 different materials for the diaphragms. This makes it possible to select the best solution for your application.

Your benefits

- Less downtime, easy maintenance
- Easy to install and operate
- Dry self priming
- Free of air lubrication
- Non stalling air valve
- Can run dry without damage

Technical data				
Weight [kg]	Fluid & air section	DP	2,4	
		PP	2,2	
Max. suction lift [mwc]		Dry	2,1* - 3,7	
		Wet	3,7* - 6,4	
Temperature [°C]	Fluid section	Internals		
	D, P,	All internals	0	65
Max. Particle size [mm]			1,6	
Max. recommended viscosity (mPas)			1000	

* with PTFE Diaphragms

Code VA10 No.1 No.2 No.3 No.4. No.5 No.6 No.7		
<p>No.1 Fluid section</p> <p>⚠ D = Acetal P = Polypropylene</p> <p>No.2 Air section</p> <p>P = Polypropylene</p> <p>No.3 Check valve seats</p> <p>AC = Acetal PP = Polypropylene SS = Stainless steel</p>	<p>No. 4 Check valve balls</p> <p>BN = Buna-N HY = Hytrel (TPE) SP = Santoprene SS = Stainless steel TF = PTFE</p> <p>No.5 Diaphragms</p> <p>BN = Buna-N HY = Hytrel (TPE) SP = Santoprene</p>	<p>TF = PTFE</p> <p>No. 6 Connections</p> <p>TB = Threaded BSP TN = Threaded NPT</p> <p>No. 7 Options</p> <p>OO = Standard OR = Outlet reversed SM = Split manifold</p>

EXAMPLE PUMP TYPE

VA10PP PP TF TF TB OO

NOTE not all combinations are available

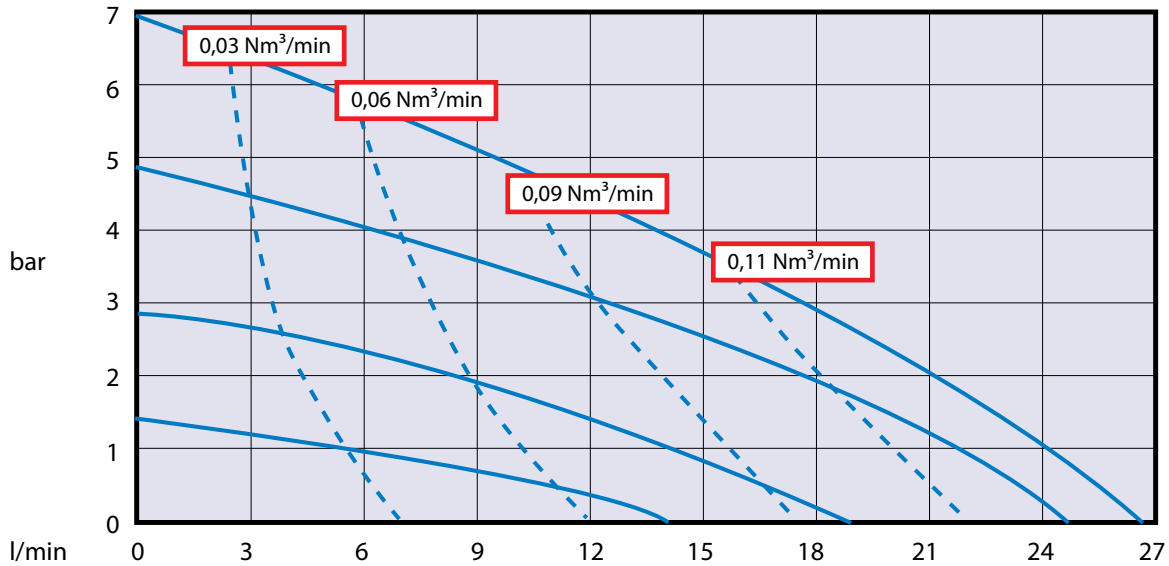
⚠ II 2 GD c IIC T4

Verderair

VA 10 Non-metallic

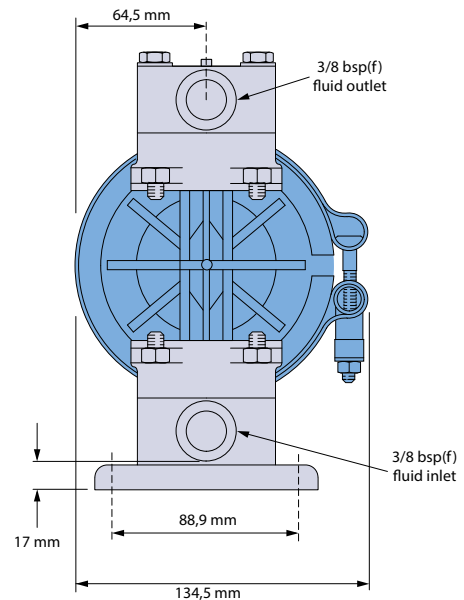
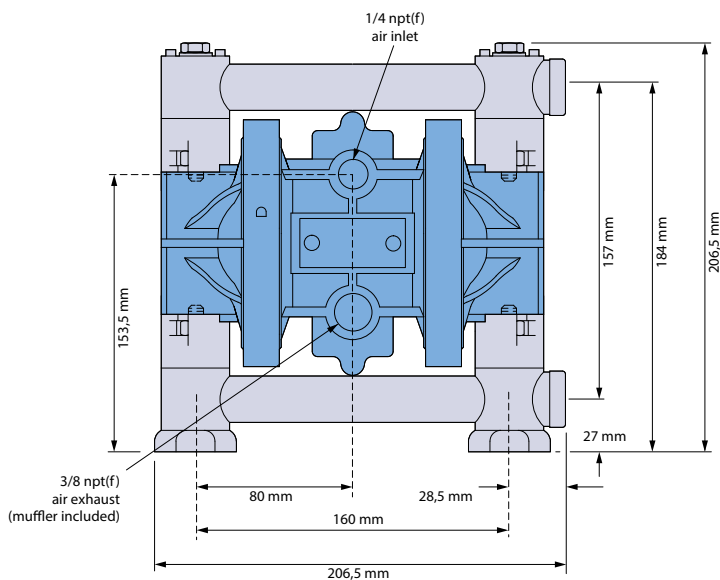


VERDERAIR®



Air consumption

Measured with water of 20°C



All dimensions are in mm.
All dimensions are for guidance only.

Find your local supplier
at www.verderair.com

For construction, installation and floor mounting drawings
please contact your local authorised Verderair® distributor.

VERDER
passion for pumps

